

Series 1100 Reciprocating Coders[†]

Registered imprints for
intermittent or continuous
motion coding applications



A Versatile Coder with Unique Features

Designed for use on either intermittent or continuous operations such as form, fill and seal equipment, wrappers and baggers, the new Series 1100 Reciprocating Coders have many unique features. A smudge-free impression is produced even though the surface to be marked is moving at the time of imprint. Series 1100 Coders use an instant-drying ink suitable for most surfaces, and the type holder seals against the ink cartridge between cycles, lengthening useful life of the cartridge and ensuring a legible first imprint even after lengthy downtime.

A unique feature of the Series 1100 Coder is its spring-loaded typeholder, which makes an instantaneous, inertial contact with the surface being printed. Because the typeholder is "floating" at the instant of printing—rather than connected rigidly to its actuating air cylinder—it is able to self-adjust to minor angularities. This—along with a type-high rubber frame or bearer ring around the print area—provides sharp, smudge-free imprints. The quick-change typeholder can be rotated 90° for great printing versatility. The Coder is furnished with two typeholders.

Series 1100 Reciprocating Coders are air cylinder operated, available with a wide variety of triggering devices and mounting options. They are furnished with

a filter-regulator unit and all controls including actuator. They will operate on low volume (0.5 scfm), 60 psi factory air. Basic units for OEM installation are also available.

EXCLUSIVE

- Spring-loaded, inertial typeholder makes instantaneous contact with surface. Fine adjustment allows "kiss-print" marking with exceptional clarity.
- Heavy-duty unit produces precisely-registered imprints on any flat surface at speeds up to 150 imprints/min. Maximum surface speed for containers or continuous webs is 150 ft./min. (45.7 m/min.).
- Instant-drying ink in sealed, throw-away cartridge. Eliminates messiness of normal ink system and high cost of hot leaf printing foil.
- Typeholder seals against cartridge between cycles to prevent "dry" first prints.
- Prints up to 32—1/8" high characters in 4 lines: laminated type grippers provide positive lock and release of type or printing mats.
- Compact unit is air actuated—mounts in virtually any position—prints at any angle.
- Wide variety of cartridge inks, including U.V. and water resistant.

*Production rates on moving surfaces are dependent upon sensor used. Consult factory for recommended rates.

1

Option A-Air Switch

Swivel Plate

Clamp Block

Stop Collar

Mounting Block

Mounting Shaft

Pulse Limiter & Quick Disconnect Assembly with Sleeve Valve

Filter-Regulator Assembly

Travel

Type-high rubber bearer ring prevents slippage during print.

1 1/2" x 1 1/2" imprint area. (Nominal)

Laminated grippers provide mechanical lock and release of base lock type.

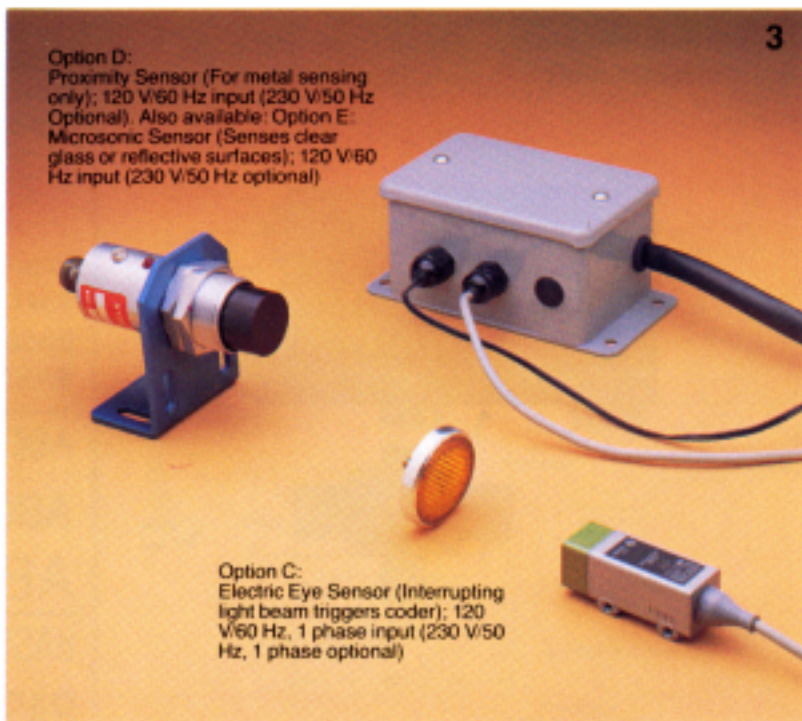
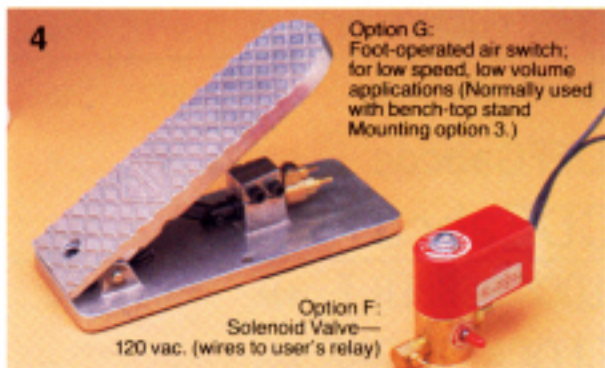
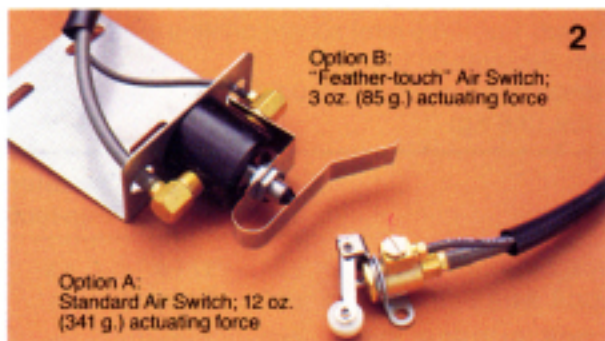
Coding Cans of Any Size...
Eliminates problems associated with steel type deboss coding

Coding or Pricing K.D. or Filled Cartons... Mounts on cartoning machines for imprinting on carton body or flaps.

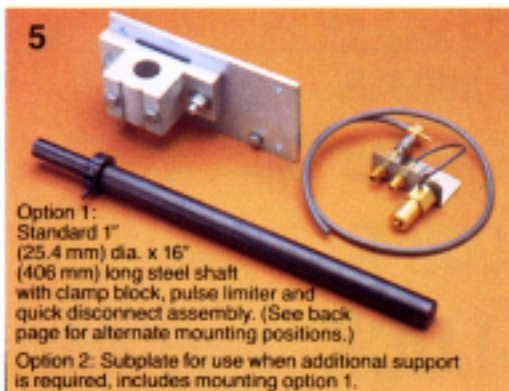
Coding or Marking Film or Foil...
For intermittent or continuous vertical or horizontal form, fill and seal machines, wrappers, baggers or band sealers.

Options to Increase Versatility

ACTUATOR OPTIONS



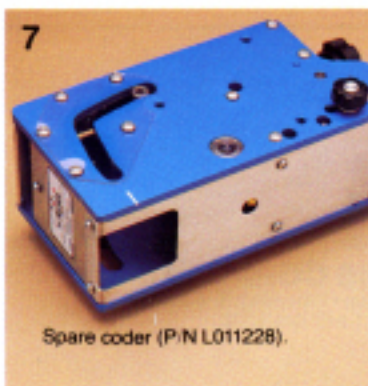
MOUNTING OPTIONS



ESTABLISHING THE MODEL NUMBER

The coder model number for ordering purposes consists of the basic series number plus respective option codes for actuator type and style of mount. For example: Model 1100A1 indicates option A—standard air switch actuator and option 1—standard steel shaft mounting.

MISCELLANEOUS OPTIONS



SPECIFICATIONS

Kiwi Series 1100 Reciprocating Coder is supplied with the following as standard: One extra baselock typeholder, one extra ink cartridge rubber gasket, filter-regulator unit, quick disconnect and pulse limiter assembly, mounting block and swivel plate assembly, and instruction manual with parts list.

Speed: Up to 150 imprints/min. Maximum surface speed (webs or containers): 150 ft./min. (45.7 m/min.). (Actual production rate dependent upon sensor used. Consult factory for recommended rates.)

Mounting: Universal mounting bracket

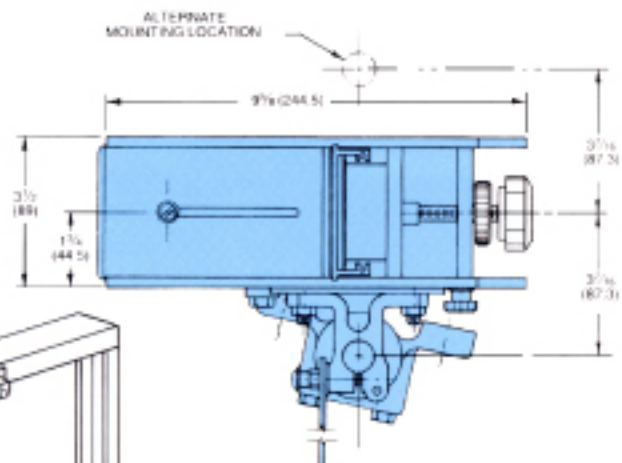
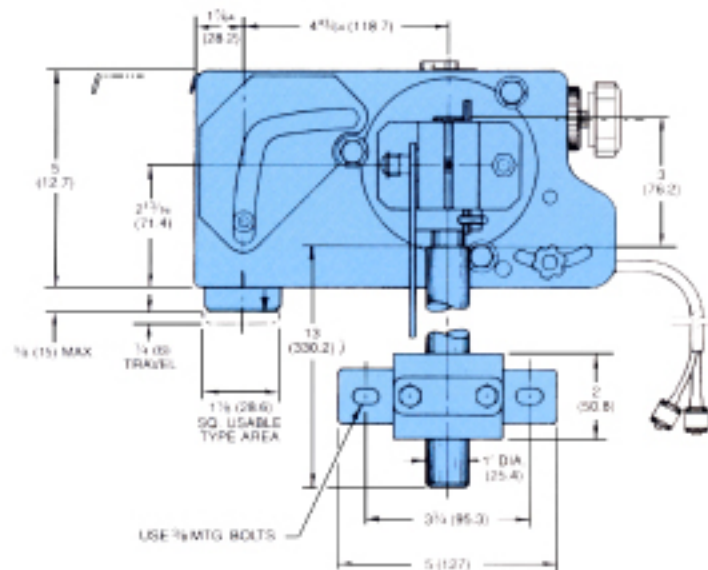
Printing Head: 1 1/8" (28.6 mm) square printing area

Air System: Requires 60 PSI

Air Consumption: Approximately 0.5 SCFM

Weight: 8 lbs. (3.6 Kg)

	Style No.	Type Height	Characters Per Inch
BASE-LOCK RUBBER TYPE IS TH	501	1/16"	13
BASE-LOCK RUBBER TYPE IS	502	5/64"	11
BASE-LOCK RUBBER TYPE	503	7/64"	10
BASE-LOCK RUBBER TY	504	1/8"	9
ABCDEFGHIHabcdefgh	505C	9/64"	10
ABCDEFGHIGabcde	506	3/16"	6
ABCDEabcd	507	1/4"	5
BASE-LOCK RUBBER T	508	3/16"	8
BASE-LOCK RUBBE	509	1/4"	7
BASE-LOCK RU	510	5/16"	6
BASE-LOCK R	511	3/8"	5
BASE-LOCK RUBBER	512	3/16"	8
BASE-LOCK RUB	513C	1/4"	8
BASE-LOCK R	514	9/32"	5
BASE-LOCK	515	3/8"	4
BASE-LO	516	1/2"	3



Note: Above dimensions are indicated in inches and (mm).



KIWI CODERS CORPORATION

265 EAST MESSNER DRIVE WHEELING, ILLINOIS 60090-6495 U.S.A.

PHONE: 847/541-4511 FAX: 847/541-6332

Internet: www.kiwicoders.com e-mail: kiwicoders@aol.com